

Entrenchment Framework

Chart 1: Article 5A – Bill amending Tier 1 provision

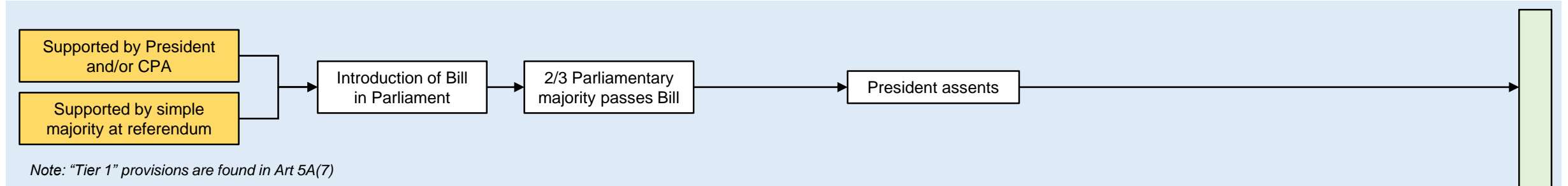


Chart 2: Article 5B – Bill amending Tier 2 provision

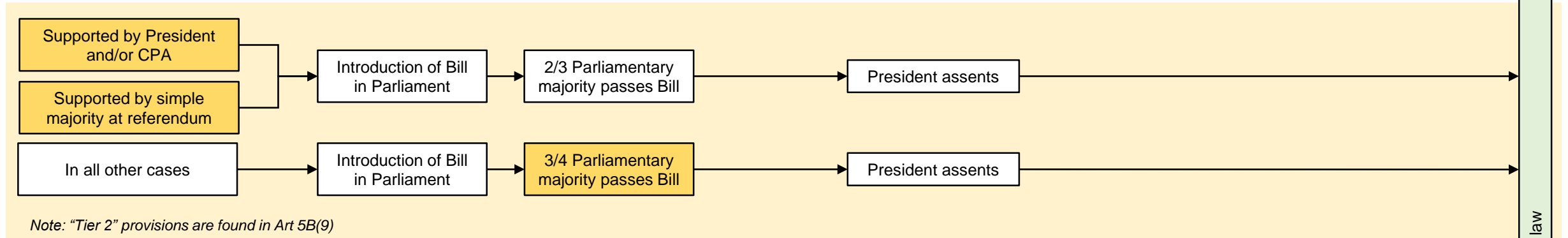
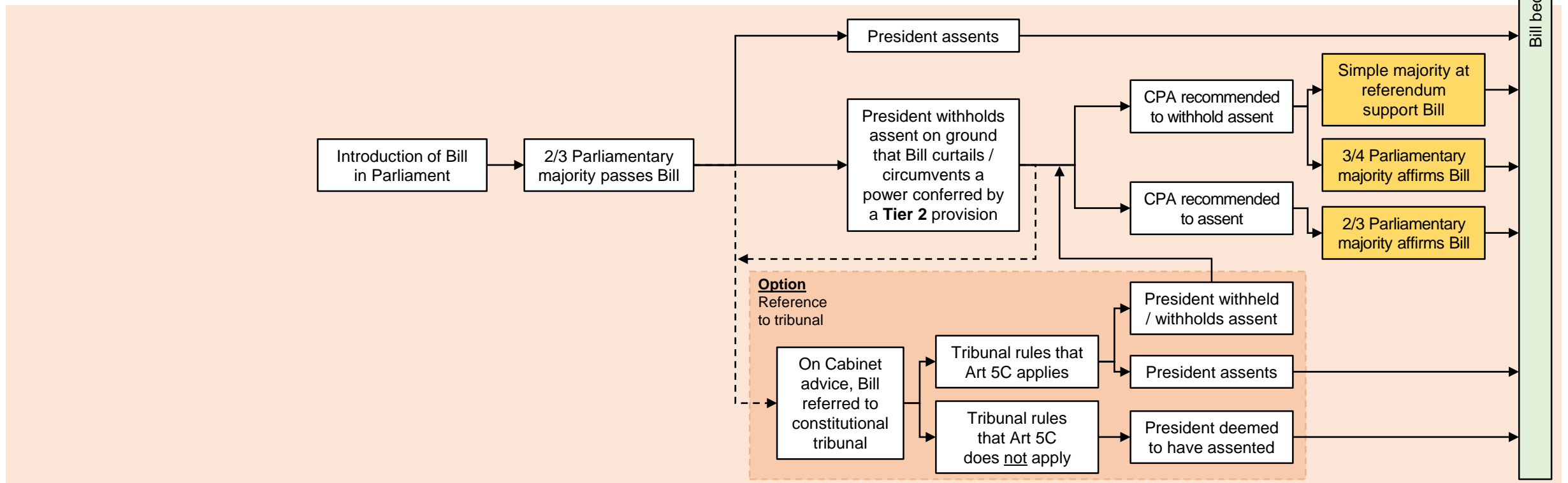


Chart 3: Article 5C – Bill curtailing / circumventing Tier 2 power



■ Heightened / additional requirements for introduction or passage of a Bill that (a) amends a Tier 1 / Tier 2 provision; or (b) curtails / circumvents a Tier 2 power